



### BRAIME ELEVATOR COMPONENTS LTD.

England. LS10 1JZ  
Telephone: (0113)2457491  
Fax: (0113)2435021  
Web: www.braille.com  
e-mail: elevators@braille.co.uk



### SETEM

9, route de Corbie  
80800 LAMOTTE WARFUSEE  
Tél : (33) 03 22 42 32 26  
Fax : (33) 03 22 42 37 33  
Email : setem@aol.com  
www .braille.com /setem



### BRAIME ELEVATOR COMPONENTS LTD.

England. LS10 1JZ  
Telephone: (0113)2457491  
Fax: (0113)2435021  
Web: www.braille.com  
e-mail: elevators@braille.co.uk

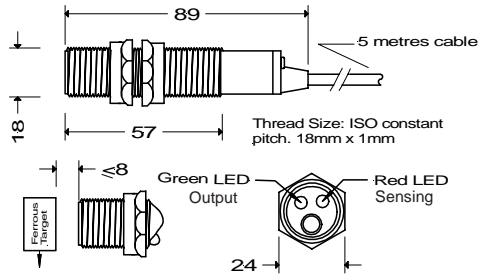


### SETEM

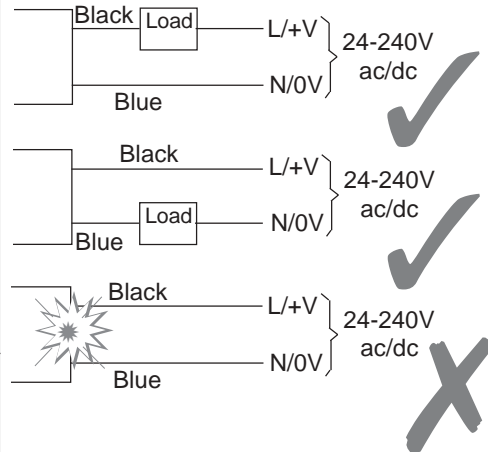
9, route de Corbie  
80800 LAMOTTE WARFUSEE  
Tél : (33) 03 22 42 32 26  
Fax : (33) 03 22 42 37 33  
Email : setem@aol.com  
www .braille.com /setem

## ATEX Approved Stopped Motion Monitor Type: **M1001V10A**

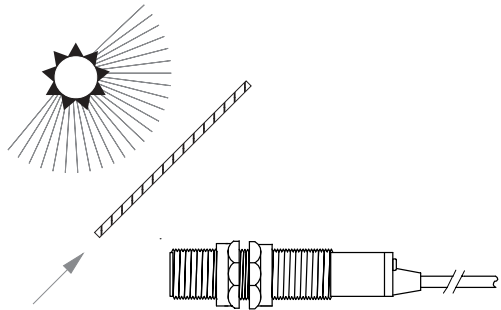
### Dimensions - mm



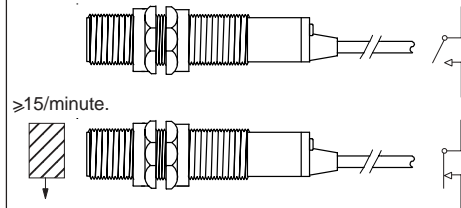
### Connections



### Protection



### Output Mode



### Approval



Approval No:  
**Baseefa03ATEX0593X**

Category:  
**Ex II 1D T100°C Tamb -15°C to +50°C IP65**

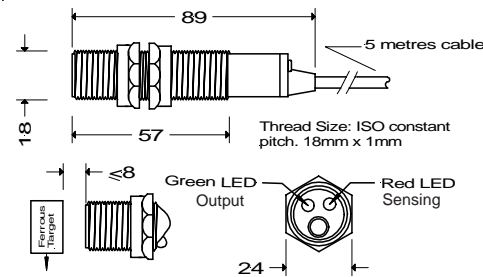
### Specification

Supply V ..... 24-240V ac/dc.  
I. min ..... ≤1 mA.  
V. drop ..... 8V max.  
Output Rating .. 200 mA max.  
Max. Speed ..... 100 Hz.

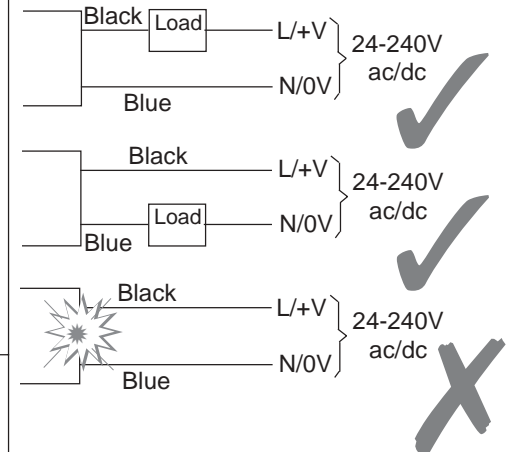
>M100ATEXMAN 644-045(A)

## ATEX Approved Stopped Motion Monitor Type: **M1001V10A**

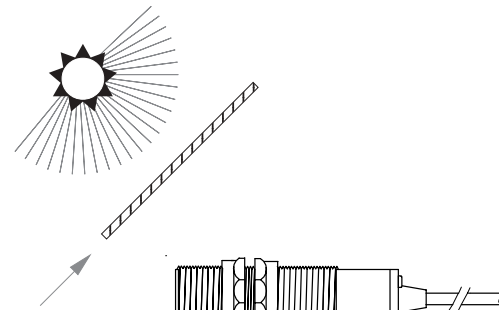
### Dimensions - mm



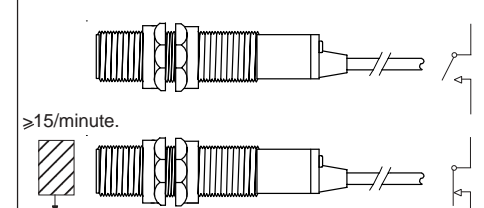
### Connections



### Protection



### Output Mode



### Approval



Approval No:  
**Baseefa03ATEX0593X**

Category:  
**Ex II 1D T100°C Tamb -15°C to +50°C IP65**

### Specification

Supply V ..... 24-240V ac/dc.  
I. min ..... ≤1 mA.  
V. drop ..... 8V max.  
Output Rating .. 200 mA max.  
Max. Speed ..... 100 Hz.

>M100ATEXMAN 644-045(A)