

ELECTRO-MECHANICAL BELT ALIGNMENT SENSOR

ATEX-Approved
Ex II 1D Ex tD A20 (Ex iaD) T125°C
IP 66



- ▶ The CBS2 is an electromechanical system to detect the misalignment of a conveyor belt.
- ▶ It operates a non-mercury tiltswitch when the belt is misaligned. Two outputs are given at 15° and 30° which can be used as alarm and stop signals respectively.
- ▶ 2 types of contact roller are available

Mounted on a stainless steel bearing	→ stainless steel 304 or nylon cylinder
Mounted on shaft	→ nylon cylinder
- ▶ The self-assembly adjustable support system is manufactured from stainless steel.
- ▶ An advantage of this system is the low contact force between the roller and the belt – simply the weight of the roller. It withstands prolonged contact without damage to the roller.
- ▶ The sensors are normally installed in pairs, one at each side of the machine, and up to 4 sensors for each CBS controller i.e. 2 at the drive end & 2 at the tension end.
- ▶ The sensors are designed for applications in ATEX areas by connection to the CBS2V0A control box

Detailed specification, wiring diagrams and installation/operating instructions available immediately upon request.

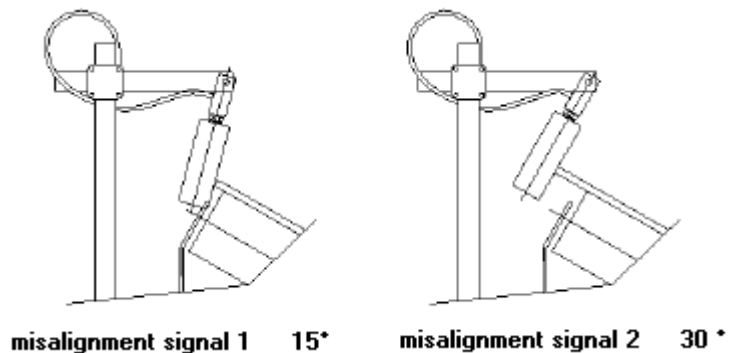
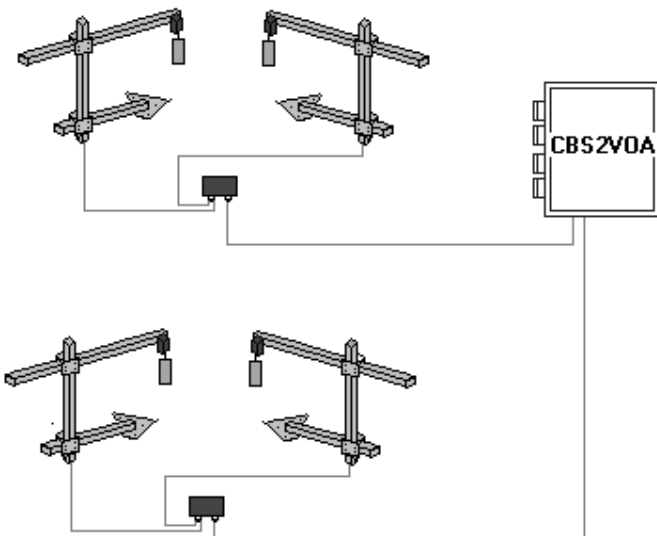
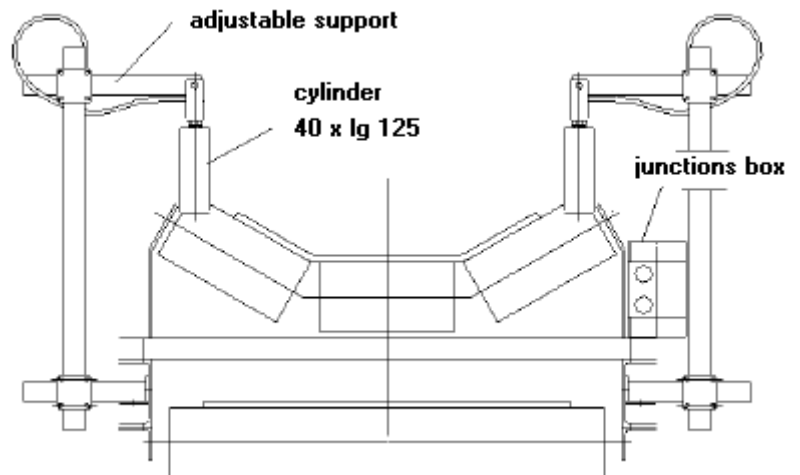


ATEX zone 20, 21 & 22

Please refer to instruction manual for correct installation .
 Information subject to change or correction. August 2010

TECHNICAL SPECIFICATIONS

Type	CBS2V0A		
Approvals	Ex II 1D Ex tD A20 (Ex iaD) T125°C Tamb -20 +50°C IP66		
Enclosure	Polycarbonate		
Supply	110 / 230 V AC		
Rating	10 VA		
Protection	IP 66		
Contact relay	ALARM :1 contact NO 5A 250VAC , 60 Vdc non inductive		
ALARM			
Contact relay	STOP :1 contact NO 5A 250VAC , 60 Vdc non inductive		
STOP			
Timer	adjustable from 0 to 30 seconds		
Dimensions	HxLxP:246x188x102mm		
Cable entry	2 holes dia. 28mm		
Fixing centres	222x102mm		
Weight	1,3Kg		



Please refer to instruction manual for correct installation .
Information subject to change or correction. August 2010