



SOCIETE D'ETUDES DE TECHNIQUE DE MANUTENTION

9 route de Corbie – 80800 LAMOTTE-WARFUSEE
 Tél :03 22 42 32 26 Fax :03 22 42 37 33
 S.A.R.L AU CAPITAL DE 100.000 F.-SIRET 311 020 523 00024-T.V.A FR 54311020523

ATEX Approved Inductive Proximity Sensor Type : P1001V10A

<p>Dimensions - mm</p> <p>Thread Size: ISO constant pitch. 18mm x 1mm Red LED Sensing</p>	<p>Connections</p> <p>Black Load L/+V } 24-240V ac/dc ✓ Blue N/0V } Black L/+V } 24-240V ac/dc ✓ Blue Load N/0V } Black L/+V } 24-240V ac/dc X Blue N/0V }</p>
<p>Protection</p>	<p>Output Mode</p>
<p>Approval</p> <p style="text-align: center;">CE</p> <p>Approval No: Baseefa03ATEX0589X</p> <p>Category: EXII 1D T100°C Tamb -15°C to +50°C IP65</p>	<p>Specification</p> <p>Supply V 24-240V ac/dc. I. min ≤ 1 mA. V. drop 8V max. Output Rating .. 200 mA max. Max. Speed 100 Hz.</p> <p style="text-align: right; font-size: small;">>:IEIMZATEXMAN 644-047(A)</p>

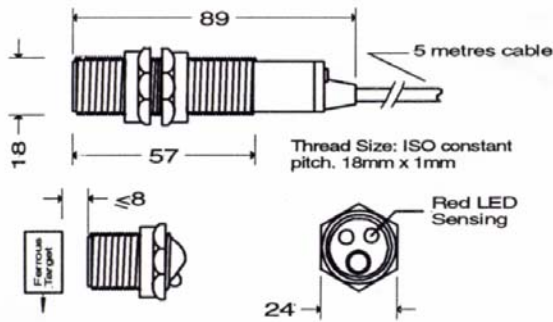


SOCIETE D'ETUDES DE TECHNIQUE DE
MANUTENTION

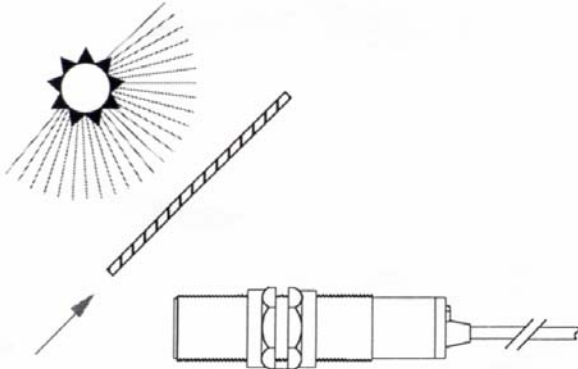
9 route de Corbie – 80800 LAMOTTE-WARFUSEE
Tél :03 22 42 32 26 Fax :03 22 42 37 33
S.A.R.L AU CAPITAL DE 100.000 F.-SIRET 311 020 523 00024-T.V.A FR 54311020523

ATEX Approved Inductive Proximity Sensor Type : P1001V34A

Dimensions - mm



Protection



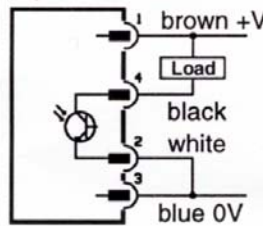
Approval



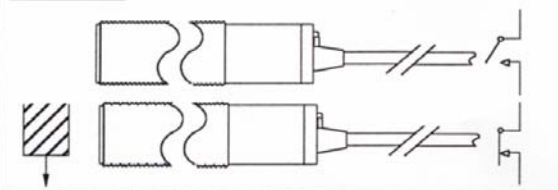
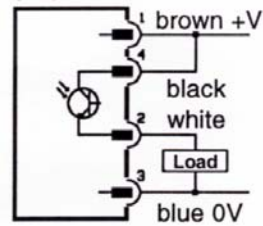
Approval No:
Baseefa03ATEX0589X

Category:
EXII 1D T100°C Tamb -15°C to +50°C IP65

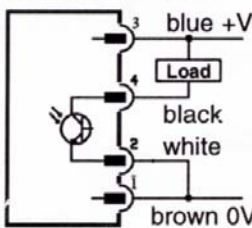
Connections:-
npn connection



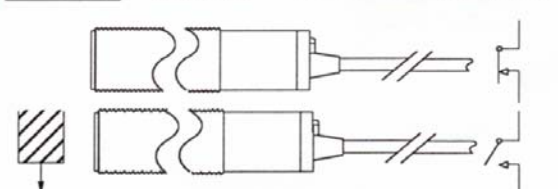
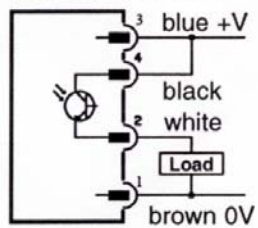
pnp connection



npn connection



pnp connection



Specification

Supply V 10-30V dcc.
Output Opto-isolated transistor, npn or pnp use.
Output Rating .. 100 mA 30V dc max.
Max. Speed 200 Hz.

>_ID_ETMOATEXMAN 644-050(A)

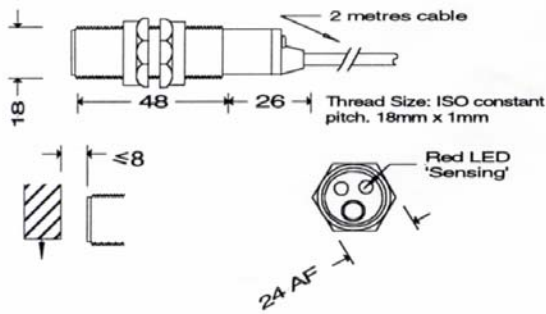


SOCIETE D'ETUDES DE TECHNIQUE DE MANUTENTION

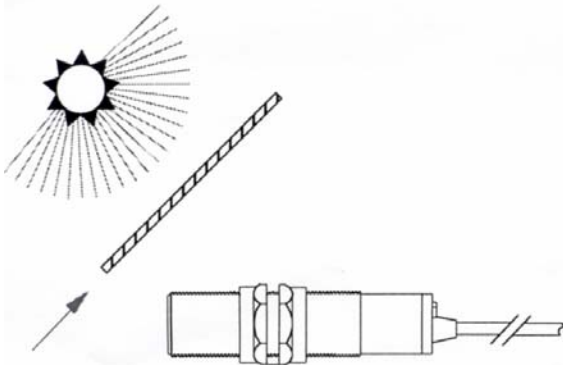
9 route de Corbie – 80800 LAMOTTE-WARFUSEE
 Tél :03 22 42 32 26 Fax :03 22 42 37 33
 S.A.R.L AU CAPITAL DE 100.000 F.-SIRET 311 020 523 00024-T.V.A FR 54311020523

ATEX Approved Inductive Proximity Sensor Type : P1002V10A

Dimensions - mm



Protection



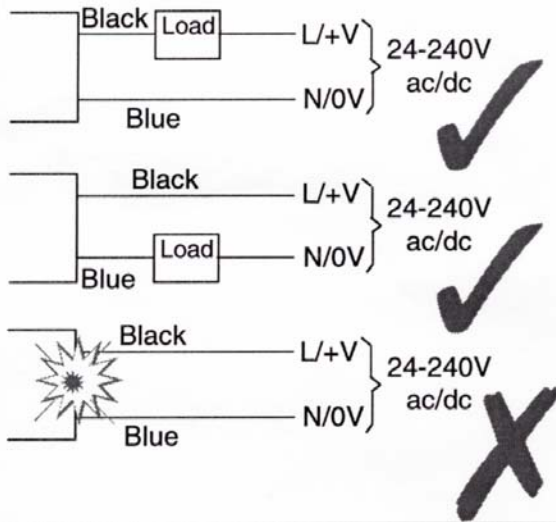
Approval



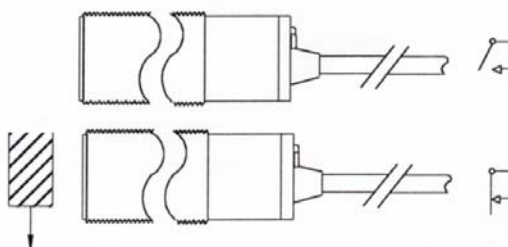
Approval No:
Baseefa03ATEX0589X

Category:
EXII 1D T100°C Tamb -15°C to +50°C IP65

Connections



Output Mode



Specification

Supply V 24-240V ac/dc.
 I. min ≤ 1 mA.
 V. drop 8V max.
 Output Rating .. 200 mA max.
 Max. Speed 100 Hz.