

High intensity - Rare Earth



Preface:

Rare Earth hinged strip magnets are versatile and can be utilised in various processes. These units are usually installed above transfer conveyors and vibratory feeders to attract 'tramp' type contamination and any loose machinery that has fallen off during the manufacturing or packaging stages.

The unit consists of two rows of magnetic material running the full length of the unit. It is these rows of magnets that generate the high intensity magnetic flux fields, which reach approx 85mm from the units front face. Due to the design, magnetism is only present on one face ensuring that no surrounding sensitive process machinery is affected.

'Tramp' contamination can be attracted from the conveyor surface even when trapped underneath the product e.g. biscuit etc. Due to the units, full Stainless Steel construction water and chemical clean down can be carried out.



Cleaning:

Due to the hinged strip magnet having an separate attractive face simply place the supplied collection tray underneath the magnet and hinge the magnetic pack away. This will allow all attracted contamination to be released and drop into the tray. Working with the maintenance department any attracted machinery parts can be quickly identified and corrective maintenance carried out



Suitable Products:

All conveyed products less than 85mm thick.

Suitable Locations:

Above transfer belt conveyors and vibratory feeders.

Benefits:

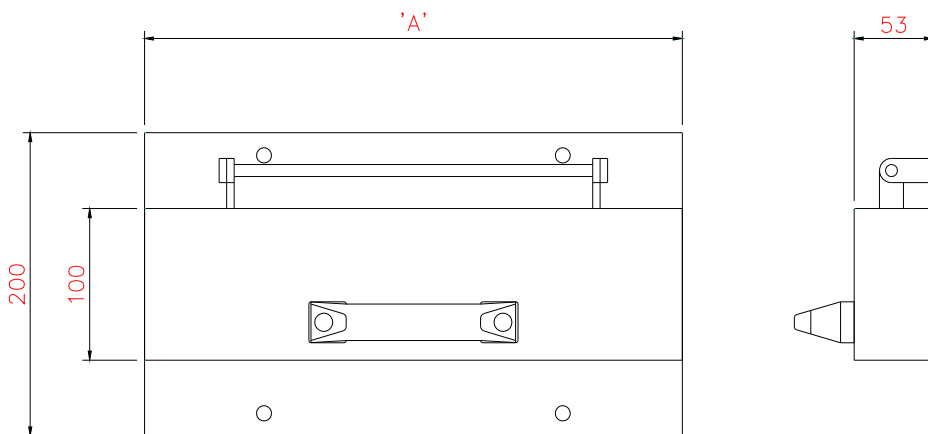
- Suitable for wash down ■ High collection capacity ■
- Removes 'tramp' sized contaminants ■
- Rare Earth deep magnetic field ■ Easy to clean ■

Category:

Primary.



Technical Data:



Sizes:-

Part No	Length A (mm / ")	Weight Kgs
HSM300	300 / 12"	9.5
HSM400	400 / 16"	12.0
HSM500	500 / 20"	15.5
HSM600	600 / 24"	19.0
HSM700	700 / 28"	23.5
HSM800	800 / 32"	27.0
HSM900	900 / 36"	30.5
HSM1000	1000 / 40"	36.0

All dimensions in mm

Performance:-

Magnetic Performance:	4,000 Gauss
Performance Reading:	On magnetic front face
Magnetic Field Depth:	85mm – Using 5mm Ø 25mm long mild steel test piece
Magnetic Material:	Rare Earth Neodymium Iron Boron
Magnet Grade:	N35 – Inspected & confirmed via hystergaph prior to use
Temperature:	-20° C/ + 90° C

Materials:-

Housing:	304 Grade Stainless Steel
Other Parts:	304 Grade Stainless Steel
Surface Finish:	Brushed to 2.0µm

Options:-

- High temperature Samarium Cobalt magnetic material, + 250° C
- Length up to 2000mm long
- 316 Grade Stainless Steel
- ATEX certified
- Ceramic magnetic material
- Pharmaceutical specification

